



# ErgoMover Go

A powerful transport trolley without hydraulic functions for applications that only require transport of materials. Equipped with an all-terrain electric motor and 4-wheel steering, the trolley is ideal for construction sites.

## DIFFERENT MODELS

The ErgoMover Go is available with several different types of standard flat beds, for example with bearers so that non-palletized goods can be set down on it from a truck-mounted crane.

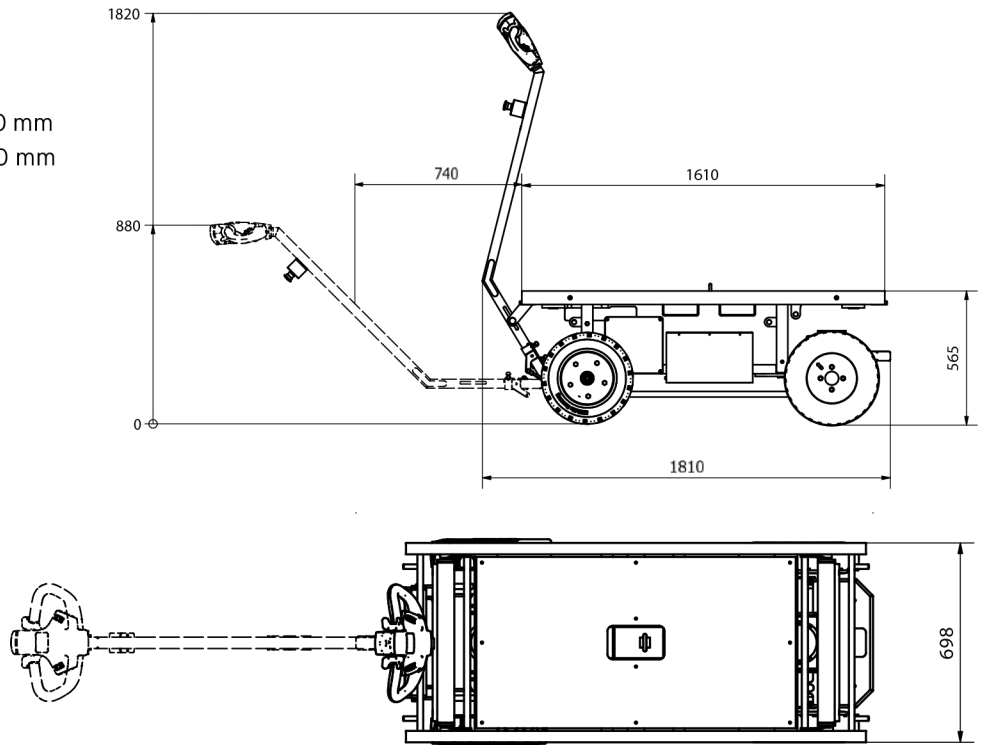
Other options are a flat bed with lashing eyelets which makes it ideal, for example, for lashing racks, so that glass panels can be transported through narrow passages.



# ErgoMover Go

## SPECIFICATIONS\*

- Lifting capacity: 1.500 kg
- Length (without handle): 1.680 mm
- Transport of plates up to 3000 mm
- Width narrow shaft: 698 mm
- Width wide shaft: 790 mm
- Height: 565 mm
- Weight: 311 kg
- Voltage: 24 Volt
- Max. driving speed: 0-6 km/h



## UNIQUE USEABILITY AND SAFETY

The ErgoMover Go is equipped with an ergonomical and userfriendly handle with built-in safety functions which lives up to the most strict safety norms. The belly button makes sure the operator is not caught between machine and the wall. Fall arrest device will bring the machine to a complete stop when you let go of the handle.

The ErgoMover Go is also equipped with a built-in charger, two joists, four material supports and a parking bracket for the steering handle.

## CUSTOMISED ERGOMOVER GO MODELS

- **ErgoMover Go** - with 360° rotatable platform for end-less rotation of the load.
- **ErgoMover Go Cargo** - with large platform and lashing points ideal for e.g. transport of glas rack.
- **ErgoMover Go XL** - for 2x1m ground plates.
- **ErgoMover Go XL** - low model with 2x1m platform.



\*The dimensions are indicative and may vary +/- 10mm